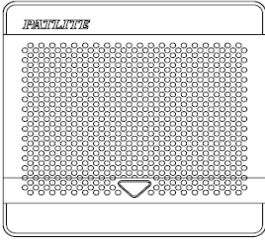
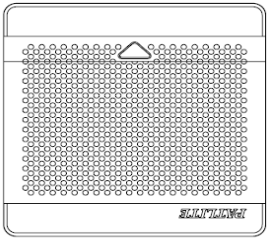
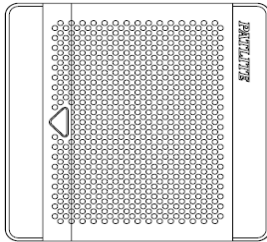


SPECIFICATIONS

[General Specifications]

Model	BKV-31JF	BKV-31KF	BKV-31QF
Rated Voltage	12V - 24V DC	100V AC 50/60Hz	220V AC 50/60Hz
Operating Voltage Range	10.8~26.4V DC	Rated Voltage $\pm 10\%$	
Power Consumption	Max. 5W	Max. 7W	Max. 7W
Sound Pressure Level	Max.95dB or more. Mounted to a 300mm x 300mm base at a distance of 1.0 meter in front of the base surface playing sound -6dB 1kHz Sine wave, with volume adjustable. ※Sound level of message will vary with the surrounding environment. ※BKV-31JF type has lower sound presser level when used with power supply voltage 17V or less.		
Sound Reduction	Sound reduction input : -15dB (Sound reduction mode only)		
Audio Format	MPEG1-Audio Layer III (MP3) Standard bit rate : 64kbit/s、Fs=44.1kHz		
Playback Time	63sec (At playing of 64kbit/s、Fs=44.1kHz Monaural data)		
Internal Memory	504KByte (Total of MP3 data)		
Supported Memory Card	SD Card Recommended Parts : SDV-2GP (option)		
SD Card Format	FAT16		
Signal Input Method	Pulse input (Pulse width more than 100msec)		
Channel Input Type	Bit Input (Select Sound Groups A to H) Binary Input (Select Sound Groups P)		
Number of Playback Sounds	Bit Input : 5 / Binary Input : 31		
Playback Start Up Time	300ms or less (In case of signal line startup) 500ms or less (In case of power supply startup)		
Channel Priority Order	STOP > CH5 > CH4 > CH3 > CH2 > CH1 (for Bit input Mode)		
BUSY Line	Max. 40V DC 500mA (ON during to playback sounds)		
Operating Ambient Temperature	-10°C ~ +50 °C		
Operating Ambient Humidity	Less than 85 % (No condensation)		

Mounting Direction			
	Upright	Inverted	Sideways
	Indoor : Upright, sideways and inverted mounting Use Upright if water splashing is present Outdoor : Upright direction Only		

図番	改訂	ページ
BKV-31KF-W18	E	2/4

Model	BKV-31JF	BKV-31KF	BKV-31QF
Protection Rating	IP54 Upright direction for Panel Mount only		
Vibration Resistance	45m/s ²	19.6m/s ²	
	At 30Hz in directions from back and forty, left and right for 2 hours each, up and down for 4 hours		
Insulation Resistance	More than 1MΩ at 500VDC between live part and non-current carrying metallic part		
Withstanding Resistance	500V AC	1,000V AC	1,500V AC
	applied for 1 min between terminals and chassis without breaking insulation		
Mass (Tolerance ±10%)	350g	530g	
Outer Dimensions	Refer to Outer Dimensions Drawing		
Compliances	<ul style="list-style-type: none"> •EMC Directive (EN 55011, EN 61000-6-2) •RoHS Directive (EN IEC 63000) 		
Remarks	<ul style="list-style-type: none"> • Conforms to the CE Requirements • Conforms to the UKCA Requirements 		
	<p>There are no contents of controlled substances exceeding the threshold for the RoHS Directive.</p> <p style="text-align: center;">B K V - 31 <u>K</u> F - <u>J</u></p> <p style="text-align: center;">① ②</p> <p style="text-align: center;">① Rated Voltage ② Body Color</p> <p style="text-align: center;">J: DC 24V J: Light Gray</p> <p style="text-align: center;">K: AC100V K: Dark Gray</p> <p style="text-align: center;">Q: AC220V</p>		

Play Mode (Setting with operation mode switch)

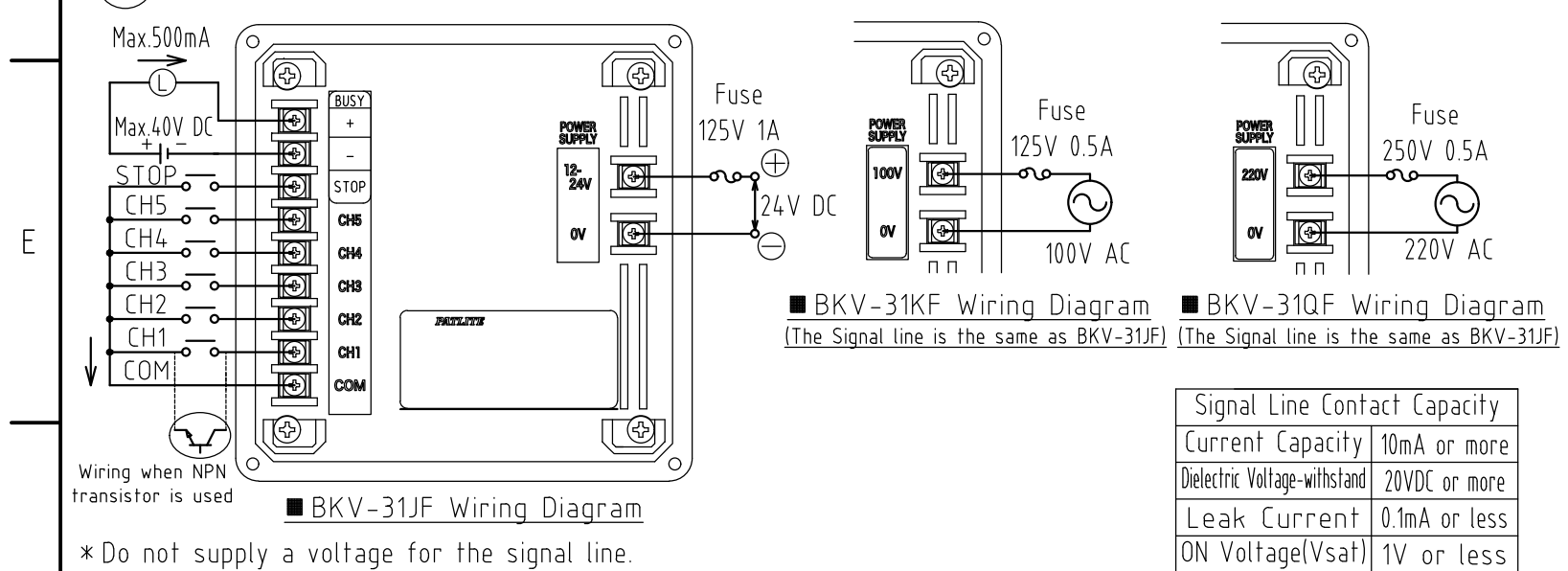
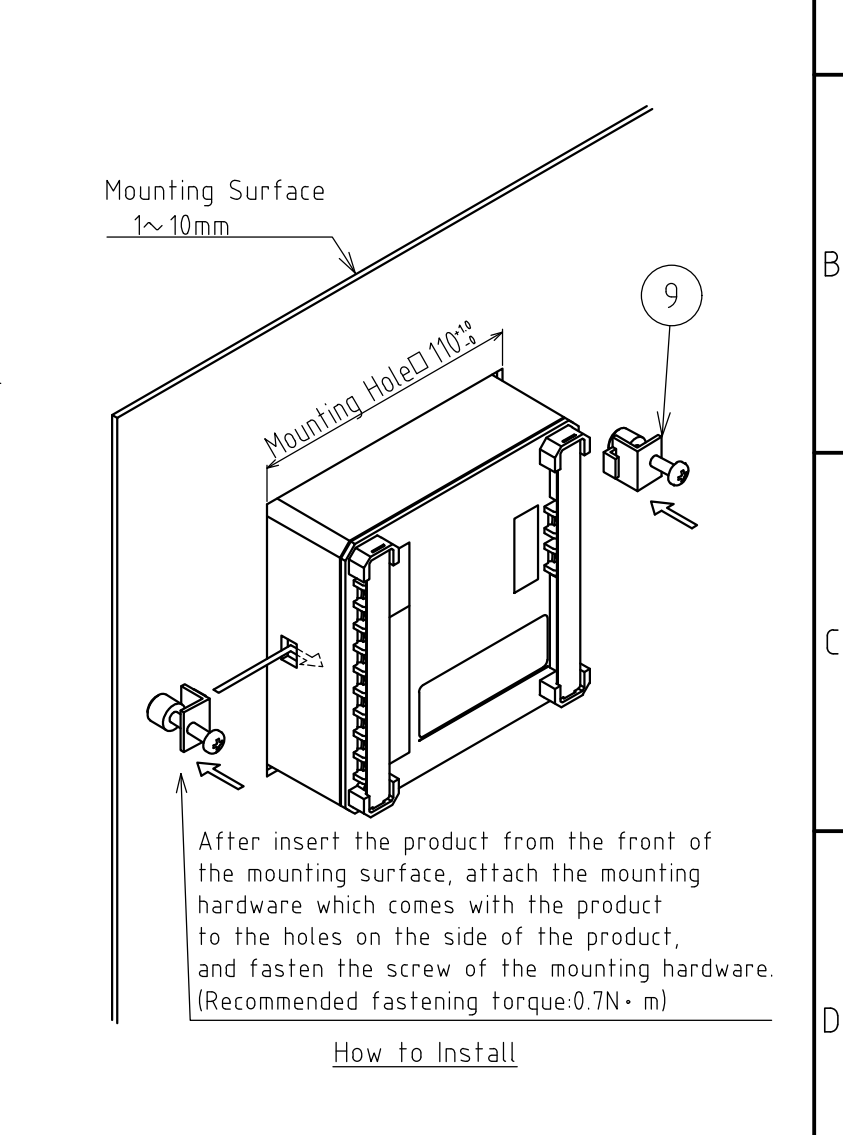
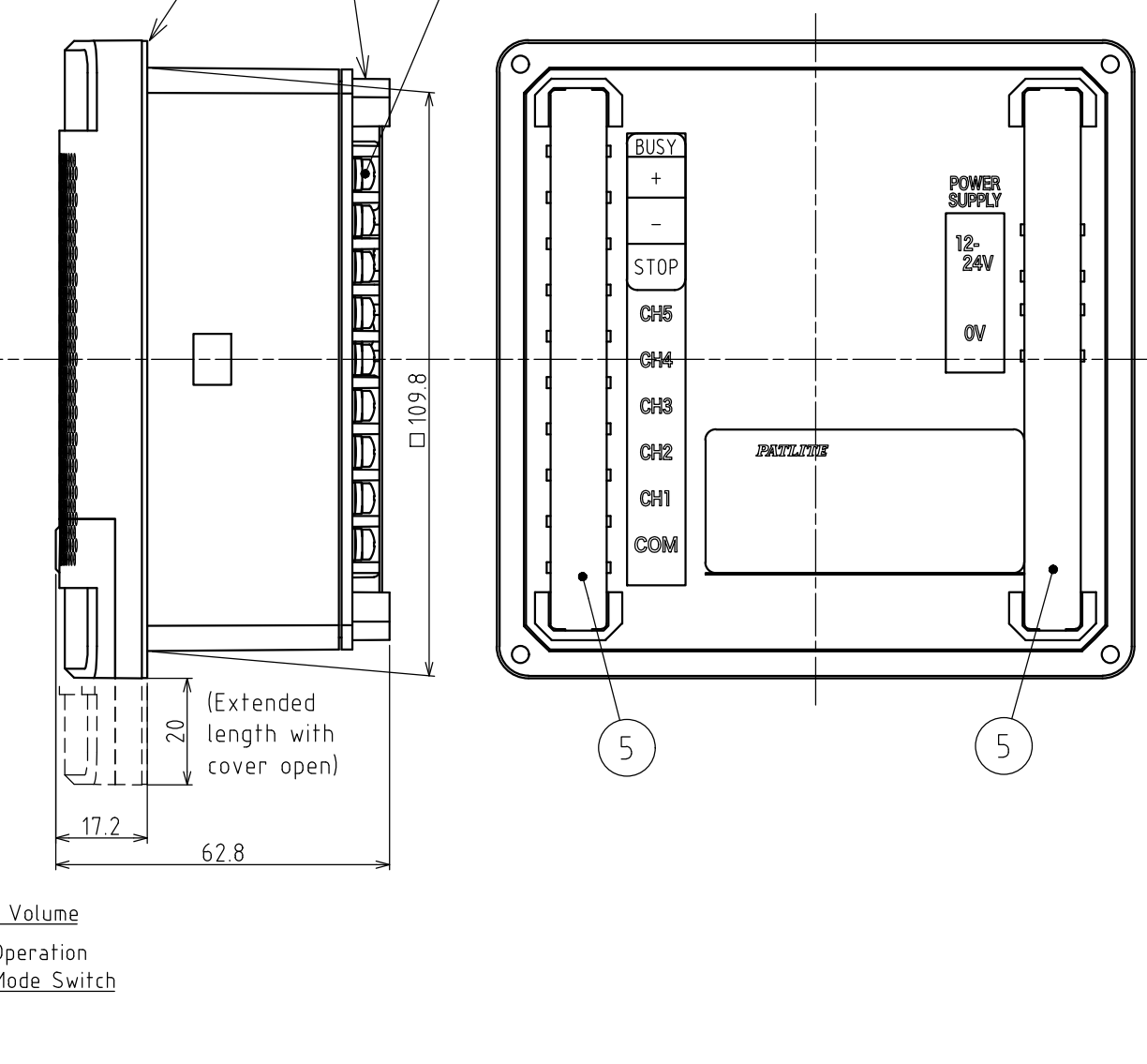
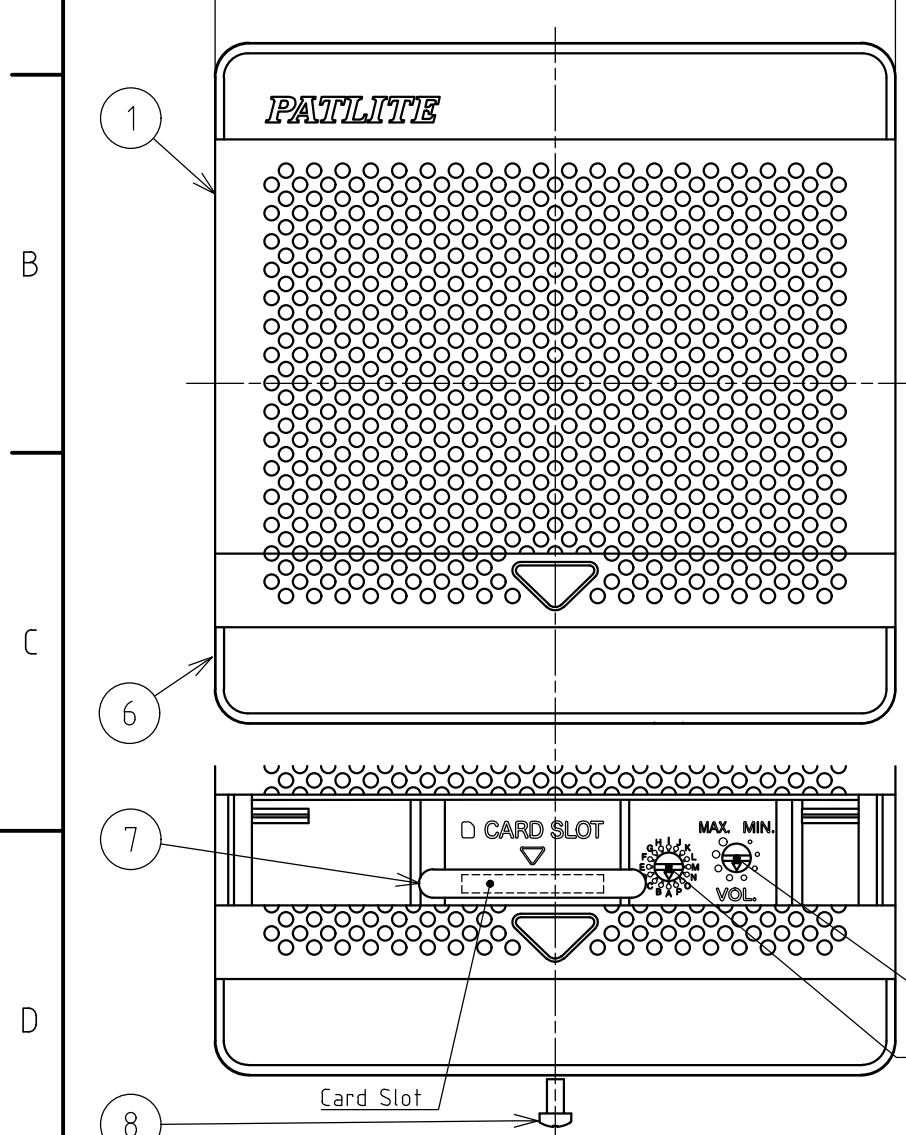
factory default setting : A (If message registration is up to No.5) / B (If message registration is No.6 and above)

A	CH input : CH1 - CH5 Number of playing messages : 5
Bit input mode	
B	CH input : CH1 - CH5 Number of playing messages : 31
Binary input mode	
C	CH input : CH1 - CH4 Number of playing messages : 4 CH5 : Input reduces the volume by 15dB.
Bit input sound reduction mode	
D	CH input : CH1 - CH4 Number of playing messages : 15 CH5 : Input reduces the volume by 15dB.
Binary input sound reduction mode	
E	CH input : CH1 - CH5 Number of playing messages : 5 When the next message is input while message is being play, the message that is being played is stopped and the latest input message is playing.
Bit input・Latest input priority play mode	
F	CH input : CH1 - CH5 Number of playing messages : 31 When the next message is input while message is being play, the message that is being played is stopped and the latest input message is playing.
Binary input・Latest input priority play mode	
G	CH input : CH1 - CH5 Number of playing messages : 5 Message play is possible only while the input is held. The play stops when the input stops.
Bit input Hold play mode	
H	CH input : CH1 - CH5 Number of playing messages : 31 Message play is possible only while the input is held. The play stops when the input stops.
Binary input Hold play mode	
I~P	The message No.1 plays.
Test mode	

~Caution on copyright~

If a work that was recorded or copied from music CDs or other media is used at public places, law enforcement for copyright infringement may be imposed. When using a work that was recorded or copied from music CDs or other media, be sure to obtain permission from the author.

In addition, the copyright of audio/music data which are distributed or sold by PATLITE Corporation belongs to PATLITE. It is strictly prohibited to copy/reprint the partial or whole contents of audio/music data of PATLITE Corporation or to transfer/sell them on computer networks etc. without the permission of the right holder.



Signal Line Contact Capacity	
Current Capacity	10mA or more
Dielectric Voltage-withstand	20VDC or more
Leak Current	0.1mA or less
ON Voltage(Vsat)	1V or less

9	Mounting Angle	2	Accessory
8	+screw	1	M3×6
7	Slot Waterproof Cover	1	EPDM
6	Front Cover	1	ABS
5	Terminal Cover	2	PC t=0.5
4	Terminal Block	11	M3×6
3	Rear Cover	1	ABS
2	Waterproof Packing	1	CR t=1.0
1	Case	1	ABS
番号 No.	部品名 Part Name	数量 Qty.	記事 Remarks

* Do not supply a voltage for the signal line.
 Do not supply overvoltage or overload or reverse connection for the busy line.
 Failure to do so may be damaged to the product.