

# Specifications

MODEL	RT-24VFUL-□
Rated Voltage	24V DC
Operating Range	21~27V DC
Power Consumption	24W±25%
Sound Pressure Level	105dB or more Condition for determination: Fit the product on the plate of □300mm, and measure the level with the sound
Sound Reduction Function	-20dB±2dB With a 1kHz sine wave at maximum volume
Audio File	Audio Format: MPEG1- Audio Layer III (MP3) Standard Bit Rate : 64kbit/s, Sample Frequency (Fs)=44.1kHz
Internal Memory Size	504KByte (Total of MP3 data)
Interface	SD card (Recommended Product: SDV-128P (Sold separately))
File Format	FAT16
Channel Input	Bit Input: Pulse Input    Binary Input: Pulse input switchable by selection switch
Signal Input Method	Pulse input width of 100ms or more
Start-up Delay	Signal line start delay: 300ms or less / Power supply line start delay: 500ms or less
Number of playback messages	Bit Input: 4    Binary Input: 15 (Sound Reduction Mode & Bit Input: 3    Binary Input: 7)
Channel Priority Order	STOP>CH4>CH3>CH2>CH1 (Bit Input Only)
Lamp	24V 20W (G18/BA15S)
Luminous Intensity (No Globe)	7,500cd
Rotation Speed	115±30 Flashes per minute
Operating Temperature Range	-10 ~ 50°C
Relative Humidity	Less than 85 % RH (Without Dew or Condensation)
Mounting Location	Indoor use only (Upright Direction Only)
Protection Rating	IP 23 (Upright Direction Only)
Insulation Resistance	1MΩ or more ( at 500V DC ) between conductive and non-conductive metal parts
Withstanding Voltage	500V AC (for 1minute) Between conductive and non-conductive metal parts
Vibration Resistance	19.6m/s <sup>2</sup> (30Hz; Back and Forth: 2h·Right to Left: 2h·Up and Down: 4h)
Mass	2.0kg±5%
Conformity Standards	UL 464, CSA-C22.2 No.205
Remarks	·UL listed (File No.S24210)

**【Model Number Configuration】**

R T - 2 4 V F U L - R







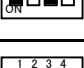
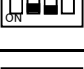

Rated Voltage  
 24 : 24V DC

Globe Color  
 R : Red  
 Y : Yellow  
 G : Green  
 B : Blue

RT-24VFUL-W18D-1.3

**PATLITE Corporation**

# Specifications

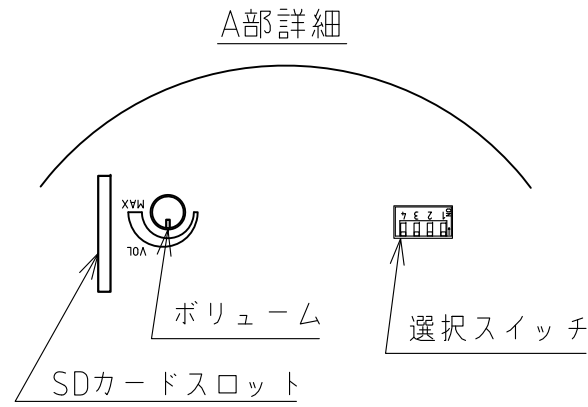
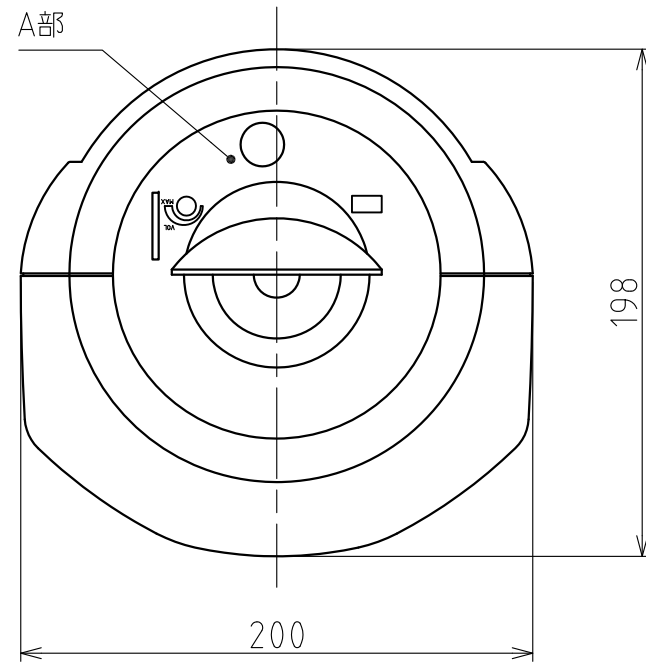
Play Mode (Operation Mode Switch Setting)		
A		CH input : CH1 - CH4 Number of playback messages : 4
Bit Input Mode		
B		CH input : CH1 - CH4 Number of playback messages : 15
Binary Input Mode		
C		CH input : CH1 - CH3 Number of playback messages : 3 CH4 : Input reduces the volume by 20dB.
Bit Input・Sound Reduction Mode		
D		CH input : CH1 - CH3 Number of playback messages : 7 CH4 : Input reduces the volume by 20dB.
Binary Input・Sound Reduction Mode		
E		CH input : CH1 - CH4 Number of playback messages : 4 While a message is being played, and an input for the next message is entered while the message is being played, the message that is being played is stopped and the entered message is played.
Bit Input・Latest Input Priority Playback Mode		
F		CH input : CH1 - CH4 Number of playback messages : 15 While a message is being played, and an input for the next message is entered while the message is being played, the message that is being played is stopped and the entered message is played.
Binary Input・Latest Input Priority Playback Mode		
G		CH input : CH1 - CH4 Number of playback messages : 4 Message playback is possible only while the input is held on. Playback stops when the input stops.
Bit Input・Hold Playback Mode		
H		CH input : CH1 - CH4 Number of playback messages : 15 Message playback is possible only while the input is held on. Playback stops when the input stops.
Binary Input・Hold Playback Mode		
I		Message No.1 plays. ( Revolving Light doesn't operate. )
Test Mode		

~Caution on copyright~

If a work that was recorded or copied from music CDs or other media is used at public places, law enforcement for copyright infringement may be imposed. When using a work that was recorded or copied from music CDs or other media, be sure to obtain permission from the author. In addition, the copyright of audio/music data which are distributed or sold by PATLITE Corporation belongs to PATLITE. It is strictly prohibited to copy/reprint the partial or whole contents of audio/music

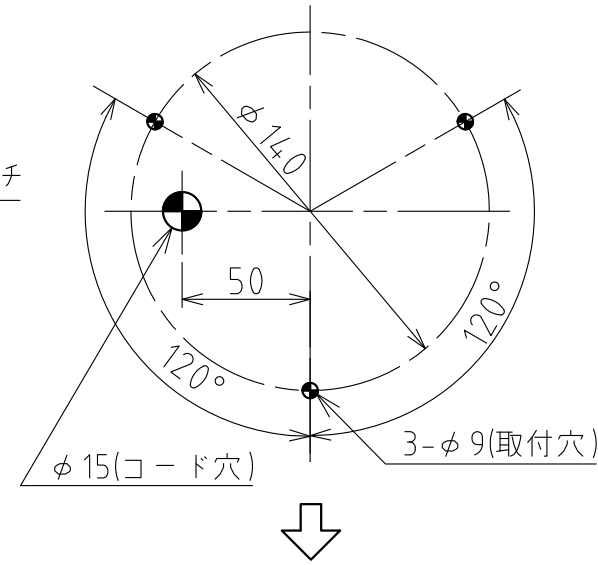
RT-24VFUL-W18D-2.3

**PATLITE Corporation**



選択スイッチ機能表

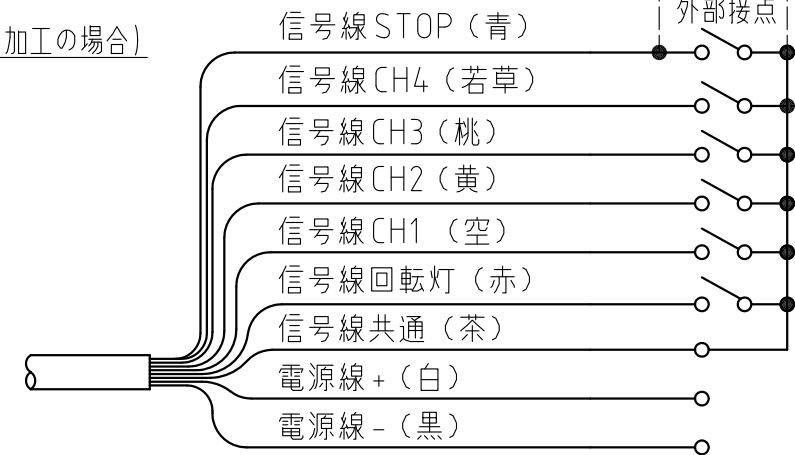
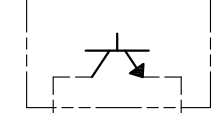
1	組み合わせにより、
2	8種類の動作モードから
3	選択が可能です
4	テスト再生



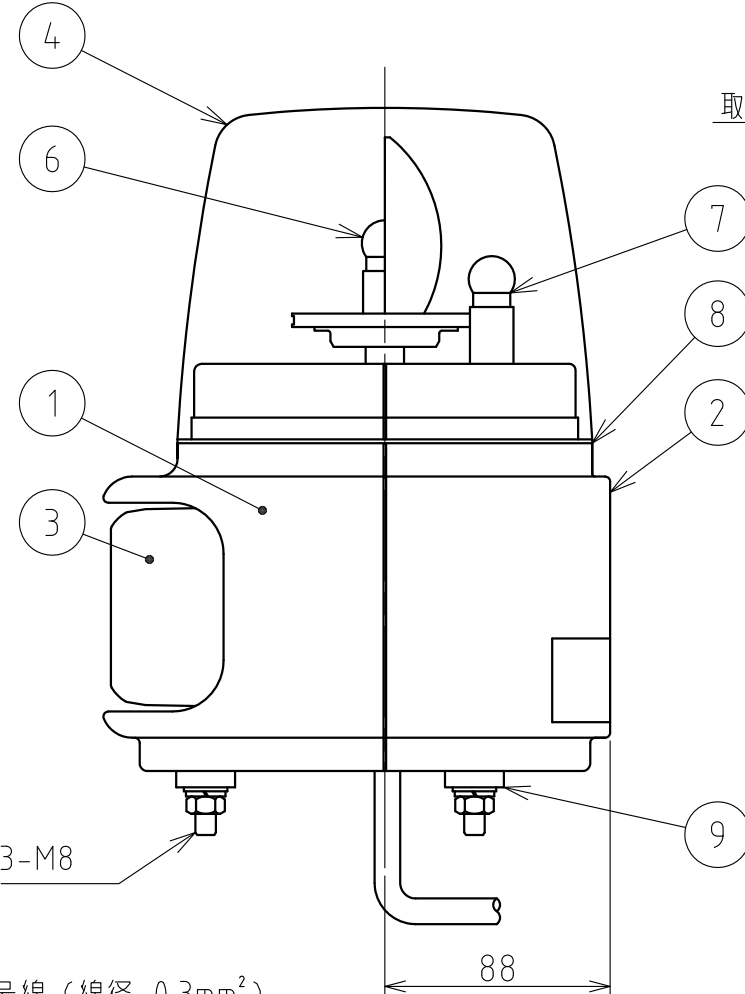
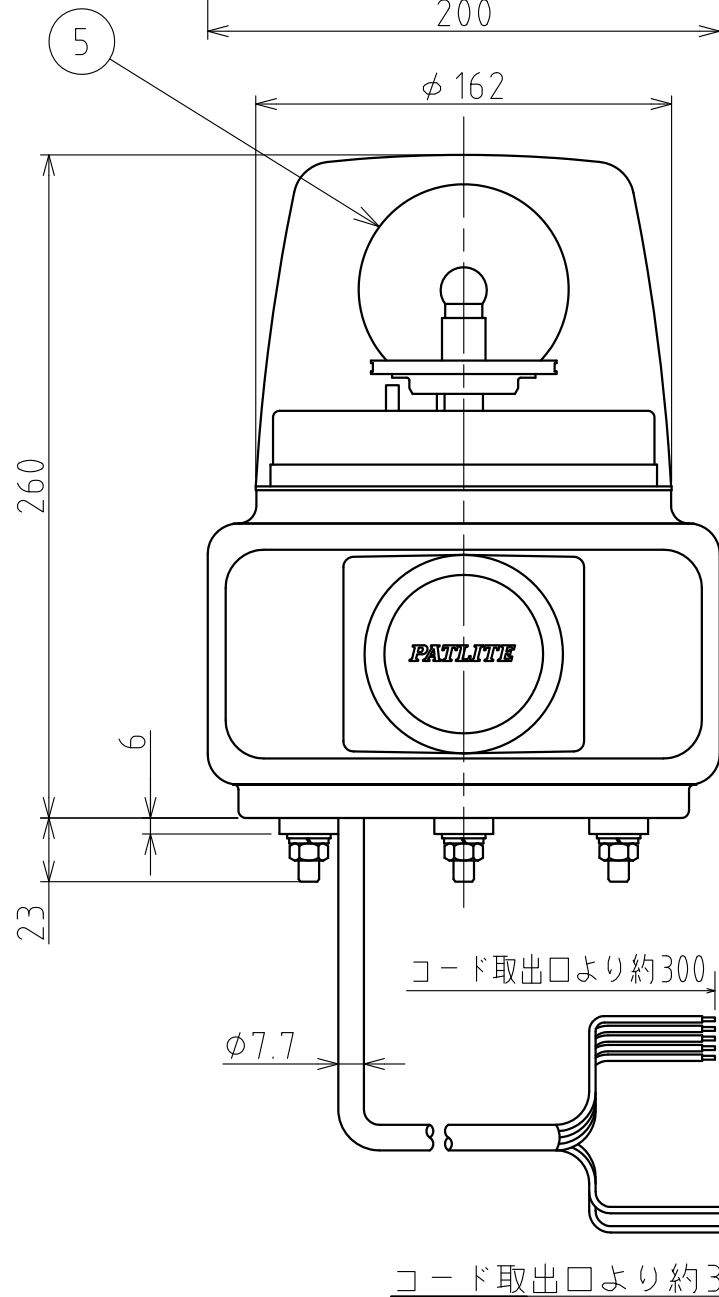
正面方向

取付寸法図 (取付表面側より加工の場合)

NPN トランジスタ配線



配線図



9	ゴム足		3	EPDM (黒)	
8	グローブパッキン		1	EPDM (黒)	
7	予備球		1	G18/BA15S	
6	電球		1	G18/BA15S	
5	反射鏡		1	ポリカーボネート樹脂	
4	グローブ		1	AS樹脂	
3	ホーン筒		1	ABS樹脂 ライトグレー	
2	ボディ B		1	ABS樹脂 ライトグレー	
1	ボディ A		1	ABS樹脂 ライトグレー	
番号 No.	部品名 Part Name	品目コード Part No.	数量 Qty.	材料 & 寸法 & 処理 Material & Size & Finish	記事 Remarks

外観図面  
Outer Dimension Drawing

株式会社 パトライト  
PATLITE Corporation

RT-24VFUL-W18D-3\_3