

PATLITE® WD System Setup Kit User's Manual

<TYPE> WDX-4LRB/WDX-5LRB/WDX-6LRB

English

Notice to Customer

- Thank you very much for purchasing our PATLITE product.
- This Setup Kit includes a body unit to be used as a power supply input for setting up the wireless data communication system "WDT-4LR-Z2/WDT-5LR-Z2/WDT-6LR-Z2."
 - An AC Adaptor is not included with this product. Refer to our model number for the recommended AC Adaptor.

AC Adaptor ADP-001

- Prior to installation, read this manual thoroughly before using this product to ensure correct use. Also, be sure to read the LR Series Tiered Signal Tower quick operation manual for proper operation.
- If there are any questions concerning this product, refer to the contact information at the end of this document and contact your nearest PATLITE Sales Representative.

To the installation, construction and wiring contractor

- Read this manual carefully Prior to installation.
- Be sure to return this manual to the customer.

-Safety Precautions-

In order to prevent any damage to the user and other personnel or to assets, note the following:

- The degree of harm and damage that will occur when misuse is made by ignoring the contents of the icons indicated is explained below.

- Warning** Indicates an imminently dangerous condition: failure to follow the instructions may lead to death or serious injury.
- Caution** Indicates a potentially dangerous condition: failure to follow the instructions may lead to slight injury or property damage.

The following symbols indicate and explains the nature of the information to be observed.

- This symbol indicates "Prohibited", which should not be carried out by all means.
- This symbol indicates "Enforced", which should be observed and carried out by all means.

1 Read this First (Safety Precautions)

Warning

- This product is not designed for waterproof applications. Do not use or install it in locations subjected to exposure to liquids. Failure to comply may result in fire, electrocution or product malfunction.
- To prevent accidents or injuries, use this product only for its intended purpose, and be sure to follow the guidelines outlined in this User's Manual.
 - Do not modify or disassemble the product.
 - Do not use the product where condensation may form.
- Request the installation and wiring to be accompanied by a professional contractor. If installation is done improperly, it may result in fire, electric shock, falling, or malfunction.
- Before installing and wiring this product, be sure that it is disconnected from the power source. Failure to comply may result in fire, electrocution or product malfunction.

Caution

- Please do not use near intense heat, open flames, in a humid location or in the vicinity of corrosive or flammable gas.
- Use a soft cloth, etc., dampened with water to wipe the product. Do not use cleaners containing thinner benzene gasoline, oil, Chemicals, etc., to wipe with. It may result in discoloration and deterioration.
- Ensure the power is at the correct polarity before insertion. Failure to comply will result in damage to the power supply and product.

2 Contents

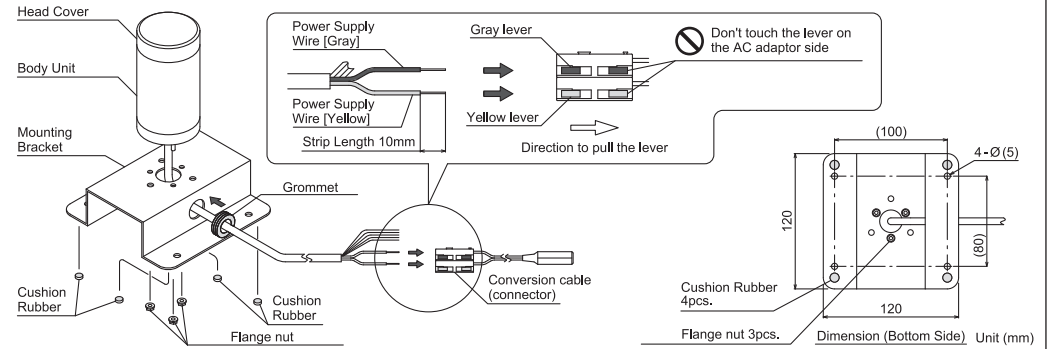
2.1 Model

This product Model	This product's Body unit Model	Corresponding to Model WDT
WDX-4LRB	LR4-02WJNW	WDT-4LR-Z2
WDX-5LRB	LR5-02WJNW	WDT-5LR-Z2
WDX-6LRB	LR6-02WJNW	WDT-6LR-Z2

2.2 Contents

Body Unit (Headcover included)	1pcs.	Grommet	1pcs.
Flange nut (4LRB/5LRB:M3, 6LRB:M4)	3pcs.	Cushion Rubber	4pcs.
Mounting Bracket	1pcs.	Installation instructions	1pcs.
Conversion cable	1pcs.	The LR Series Signal Tower instruction manual(LR4/LR5/LR6)	1pcs.

3 Mounting Method



※ The ends of the power lead wire should be stripped around 9mm to 10mm in length.

※ Pull the lever of the conversion connector to the locking position and insert the power supply wire all the way in. Be sure to hold the lead wire as is and return the lever to its original position in the status. Also, make sure that the power supply core wire does not protrude from the conversion connector.

※ Other unused wires should be insulated with vinyl tape etc.

4 How to use

Warning

- Be sure to de-energize the transmitter (WDT) when attaching or detaching it.

(1) About WDT connection and usage.

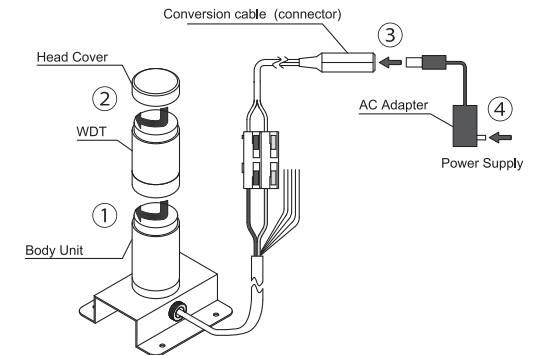
- Refer to the WDT operation manual for proper connection and use of the WDT.
- How to connect the AC Adaptor. Be sure to do the steps for this product in order of ①→②→③→④.

(2) How to remove the WDT

- When removing the WDT from this product, be sure to do so in the order of ④→②→①, as indicated in the figure to the right.
- Refer to the WDT operation manual for proper removal of the WDT.

Note

Operation check can be performed by connecting each signal line to the power line "gray".
When not in use, insulate the cable core with vinyl tape or the like.



PATLITE Corporation

G2J

PATLITE Corporation ※Head office ■ www.patlite.com/
PATLITE (U.S.A.) Corporation ■ www.patlite.com/
PATLITE Europe GmbH ※Germany ■ www.patlite.eu/
PATLITE (SINGAPORE) PTE LTD ■ www.patlite-ap.com/
PATLITE (CHINA) Corporation ■ www.patlite.cn/
PATLITE KOREA CO., LTD. ■ www.patlite.co.kr/
PATLITE TAIWAN CO., LTD. ■ www.patlite.tw/
PATLITE (THAILAND) CO., LTD. ■ www.patlite.co.th/
PATLITE MEXICO S.A. de C.V. ■ www.patlite.com.mx/