

■ Notice to Customer

- Thank you very much for purchasing our Patlite products.
- Request the installation and wiring be performed by a professional contractor if construction work is involved.
 - Prior to installation, read this manual thoroughly before using this product to ensure correct use. In addition, please store this manual for future reference when performing maintenance, repairs or inspections.
 - If there are any questions concerning this product, refer to the contact information at the end of this document and contact your nearest PATLITE Sales Representative.

Compatible Models	Signal Tower	LR4-□02WJ□□, LR5-□01WJ□□, LR5-□02WJ□□, LR5-□02WT□□, LR6-□02WJ□□ * Not compatible with LR□-□M2□□.
	IO-Link Signal Tower	LR6-□ILWM□□
	USB-controlled Signal Tower	LR6-□USB□
	Wireless Data Acquisition System	WDB Series

NOTE • Compatible models as of September 2020. Please visit our website for the latest list of compatible models.
• Before use, be sure to read the instruction manual of the compatible model.

■ To the Contractor

- Read this manual carefully prior to installation.
- Be sure to return this manual to the customer.

1. Before you begin

1. 1. About Safety Symbols

In order to prevent any damage to the user and other personnel or to assets, note the following

- ◆ The degree of harm and damage that will occur when misuse is made by ignoring the contents of the icons indicated is explained below.

⚠ WARNING Indicates, "Failure to follow the instructions may lead to death or serious injury."

⚠ CAUTION Indicates, "Failure to follow the instructions may lead to injury or property damage."

◆ The following symbols explain the types of precautions that need to be followed.

	This symbol identifies "Prohibited" operations that should never be carried out.
	This symbol identifies "Mandatory" instructions that should always be carried out.

1. 2. Safety Precautions

	⚠ WARNING
	<ul style="list-style-type: none"> ◆ Do not use or install the product in the following environments: where liquids such as water is present, where oil will splatter, or where it is humid or dusty. Failure to follow these instructions could result in fire, electric shock, or product failure. ◆ To prevent accidents, do not use this product other than for its intended purpose, and do not run operations or maintenance other than those described in this manual.
	<ul style="list-style-type: none"> ◆ Request the installation and wiring to be accompanied by a professional contractor. If installation is done improperly, it may result in fire, electric shock, falling, or malfunction. ◆ Turn off the power before performing any electric wiring or product installation. Failure to follow this instruction could result in electric shock.
	⚠ CAUTION
	<ul style="list-style-type: none"> ◆ Do not use or store this product in the following Environments. Failure to follow this instruction could result in product malfunction or failure. <ul style="list-style-type: none"> • Environments with poor ventilation • Near equipment that generate strong electrical or strong magnetic fields • Places exposed to direct sunlight • Locations subject to shock and vibration • Near heating appliances • Environments where dust or iron powder is present • Places near fire or environments with high temperatures and humidity • Locations from where the product may fall off • Locations exposed to salty sea air ◆ Do not use this product near chemicals. This product could melt or become deformed if exposed to chemicals.

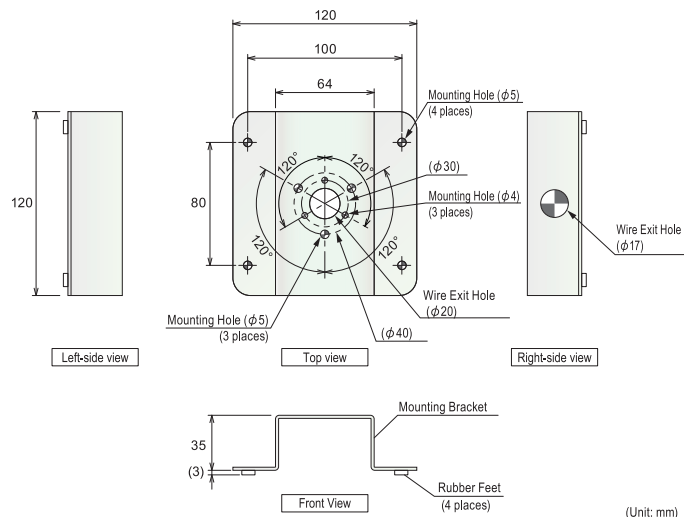
2. Package Contents

	Mounting Bracket: 1						
	Instruction Manual (this document): 1						
	<table border="1"> <tr> <th colspan="2">Accessory</th> </tr> <tr> <td></td> <td>1</td> </tr> <tr> <td></td> <td>4</td> </tr> </table>	Accessory			1		4
Accessory							
	1						
	4						

3. Model Number Configuration

Model	SZW-002	Body Color	W
Model Number	Off-white		

4. Part Names and Dimensions



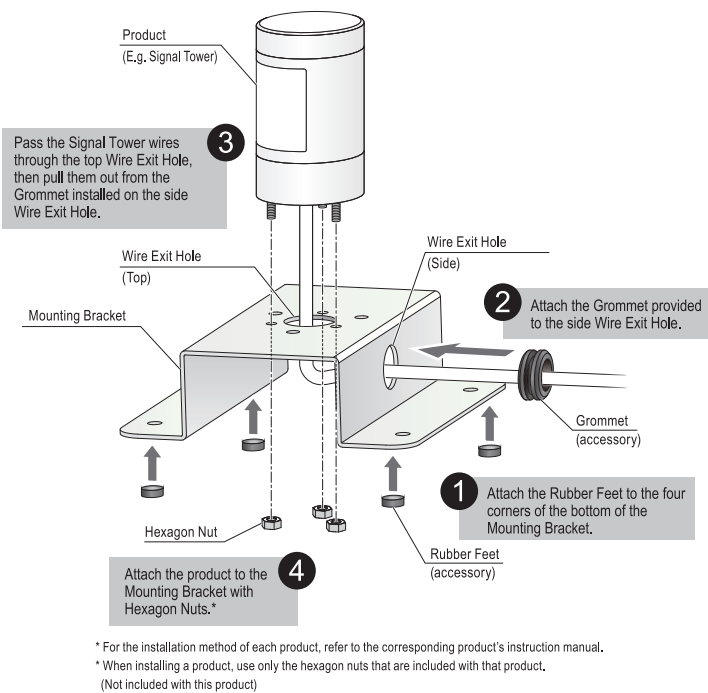
5. Mounting Method

⚠ WARNING

- ◆ Do not use this product in a place which is exposed to water, dust, oil mist, etc. Failure comply may result in fire, electrocution or product malfunction.

⚠ CAUTION

- ◆ The following requirements are necessary for a proper mounting location.
 - Location with strong and even surface with minimal vibration.
- ◆ Install this product in the upright position.
- ◆ Before attaching the rubber feet, remove any dirt, dust, water, oil, or other unwanted material from the bottom of the Mounting Bracket and the mounting surface.



6. Specifications

Model	SZW-002W	
Installation Location	Indoors	
Installation Direction	Upright only	
Material	Mounting Bracket	SPCC t=1.6
	Grommet	EPDM
	Rubber Feet	NR
Mass (Tolerance: ±10%)	270 g	
Notes	<ul style="list-style-type: none"> • There is no protection rating for this product. • There is no vibration resistance rating for this product. • There are no contents of controlled substances exceeding the threshold for the RoHS Directive. 	

PATLITE Corporation (G2J)

PATLITE Corporation	Head office	www.patlite.com/
PATLITE (U.S.A.) Corporation		www.patlite.com/
PATLITE Europe GmbH	Germany	www.patlite.eu/
PATLITE (SINGAPORE) PTE LTD		www.patlite-ap.com/
PATLITE (CHINA) Corporation		www.patlite.cn/
PATLITE KOREA CO., LTD.		www.patlite.co.kr/
PATLITE TAIWAN CO., LTD.		www.patlite.tw/
PATLITE (THAILAND) CO., LTD.		www.patlite.co.th/
PATLITE MEXICO S.A. de C.V.		www.patlite.com.mx/