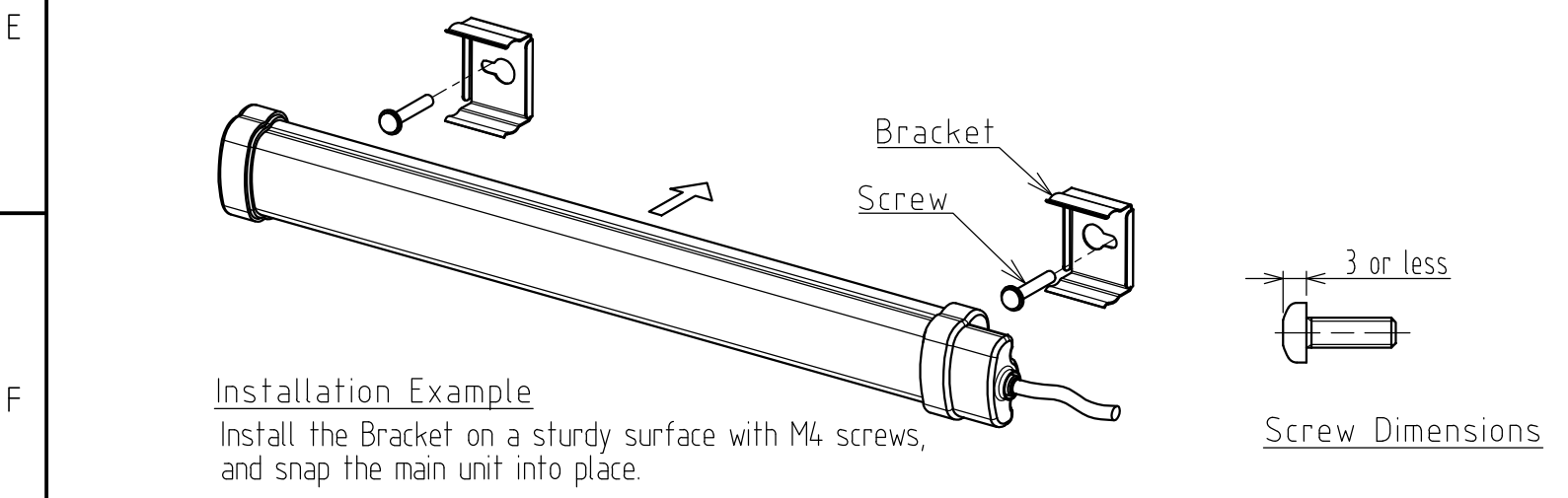
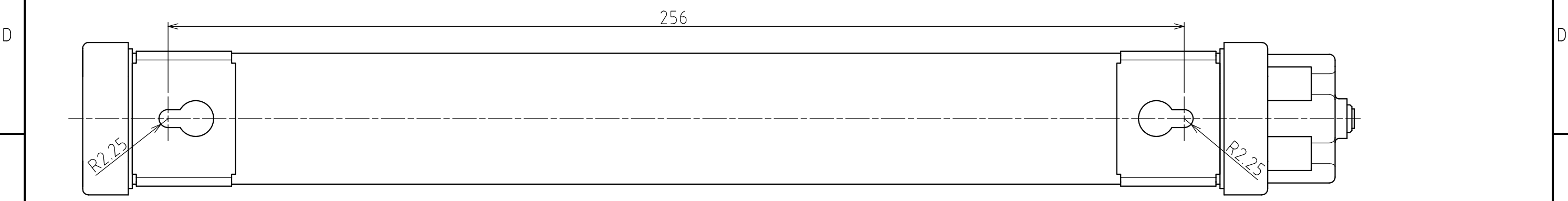
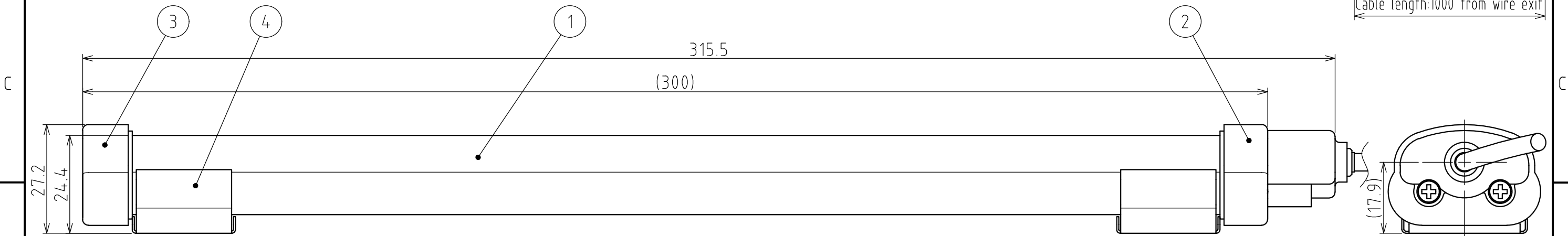
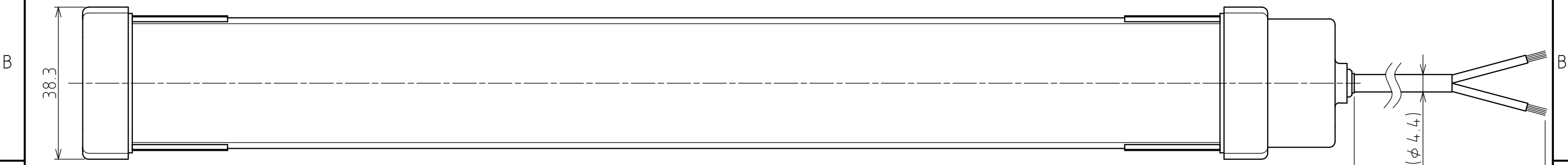


Drawing No.	Rev.	Page
CWA3S-FL010-W18	B	1 / 2

<h1>SPECIFICATIONS</h1>
-------------------------

[General Specifications]

Model	CWA3S-24-CD+FL010	
Color Code	CD	
Luminous Color	Daylight	
Color Temperature (typ.)	6500 K	
Illuminance (at 24V DC, 1m)	110 lx	
Total Luminous Flux (at 24V DC)	385 lm	
Rated Voltage	24V DC (Polarized)	
Operating Voltage Range	Rated Voltage $\pm$ 10%	
Signal Wire Current (Rated Current Consumption)	Typ.	180 mA
	Max.	198 mA
Operating Ambient Temperature	-30 °C to +60 °C	
Operating Ambient Humidity	Less than 90% (No condensation)	
Storage Ambient Temperature	-35 °C to +65 °C	
Storage Ambient Humidity	Less than 90% (No condensation)	
Mounting Direction	All Directions	
Protection Rating	IP65 (IEC 60529) (Cable connection ends not included)	
Vibration Resistance	19.6 m/s <sup>2</sup> (30Hz, Back and Forth, Up and Down, Left and Right for 2 hrs. each)	
Mass	215 $\pm$ 10 g	
Outer Dimensions	Refer to the Outer Dimension Drawing	
Conformity Standards	EMC Directive (EN IEC 55015, EN 61000-6-2) RoHS Directive (EN IEC 63000) UL Listed (File No.E306141)	
Remarks	· Due to the inherent properties of the LED, color variations and hue may occur.	



4	Bracket	2	SUS
3	End Cap B	1	PC(White)
2	End Cap A	1	PC(White)
1	Cover	1	PC(Clear)
番号 No.	部品名 Part Name	数量 Qty.	記事 Remarks

機種 Model	CWA3S-24-CD	特注No. S.P.No.	FL010	図名 Name	Outer Dimensions Drawing
品目コード Part No.	-	尺度 Scale	-	三角法 3rd Angle P.	単位 Unit mm
				株式会社 パトライト PATLITE Corporation	