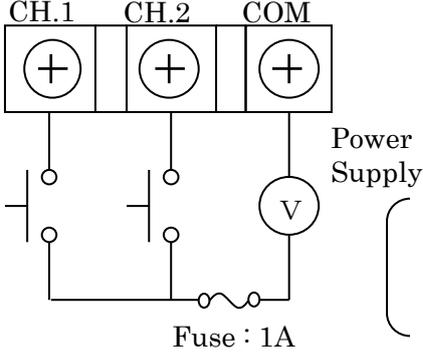


SPECIFICATIONS

[General Specifications]

Product Name	Audible Alarm		
Model	BM-202H	BM-210H	BM-220H
Rated Voltage	24V AC/DC	100V AC	220V AC
Operating Voltage Range	Rated Voltage $\pm 10\%$		
Rated Power Consumption	0.4W	2.5W	3.5W
Operating Ambient Temperature	-10°C to +60°C		
Operating Ambient Humidity	Less than 85% (No condensation)		
Mounting Location	Indoor use only		
Mounting Direction	Upright only		
Protection Rating	IP30 (IEC 60529)		
Vibration Resistance	19.6m/s ² (IEC 60068-2-6 30Hz Fixed frequency)		
Insulation Resistance	More than 1M Ω at 500VDC between live part and non-current carrying metallic part		
Sound Pressure Level	85 dB (at 1 m)	90 dB/m (at 1 m)	
Sound	CH1 : Rapid(Hi-Lo)	CH2 : Stutter (Rapid intermittene horn)	
CH Priority	1ch > 2ch		
Transducer	Piezo electric speaker		
Withstand Voltage	Between the power wire and the mounting ring.		
	AC 500V 1 minute	AC 1500V 1 minute	
Continuous Operating Time	500 h		
Mounting Board Tickness	7 mm or less		
Mounting Hole Dimension	$\phi 30.5\text{mm}$		
Mass(Tolerance $\pm 10\%$)	100 g		
Conformity Standards	EMC Directive (EN 55011, EN 61000-6-2) RoHS Directive (EN IEC 63000)		
Remarks	Conforms to the CE Requirements Conforms to the UKCA Requirements	There are no contents of controlled substances exceeding the threshold for the RoHS Directive.	
Wiring	 <p style="text-align: center;">Fuse : 1A</p> <p style="text-align: right;">Power Supply</p> <p style="text-align: right;">※ BM202H is AC/DC type. Therefore, power supply's polarity isn't mentioned.</p>		

1

2

3

4

5

6

7

8

指定公差 General tolerance	角度公差 ±[°]			寸法公差 ±[mm]					図番 Drawing No.		ページ Page
	短辺長さ Length of short side	~	~100	6	30	120	300	1000	BM-202H-W18		2/2
	精 f	1	0.5	0.3	0.1	中 m	0.1	0.3	0.5	0.7	1
	粗 v	3	1.5	1	0.5	粗 c	0.3	0.5	1	1.2	2
改訂 Rev.	年月日 Date	改訂履歴 Revisions		△							

A

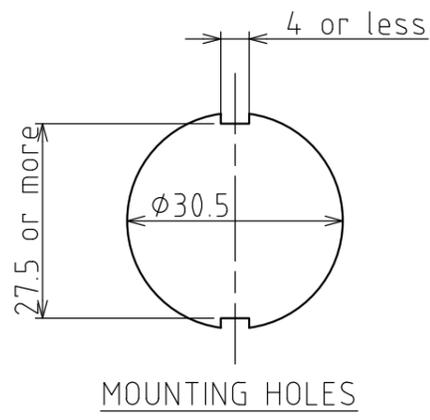
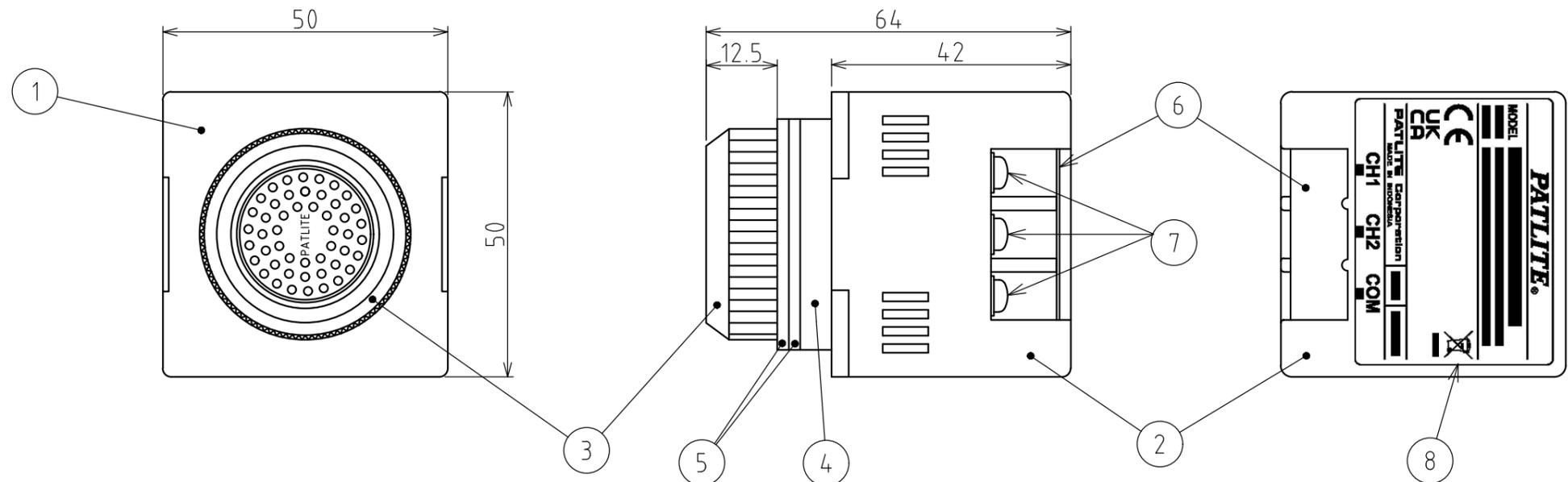
B

C

D

E

F



8	Nameplate	1	
7	TERMINAL SCREW	3	MBNi
6	TERMINAL COVER	1	PC, Black
5	RUBBER PACKING B	2	NBR t2.0
4	RUBBER PACKING A	1	NBR t3.5
3	RING	1	ABS
2	BODY B	1	ABS, BLACK
1	BODY A	1	ABS, BLACK
番号 No.	部品名 Part Name	数量 Qty.	記事 Remarks

機種 Model	BM-202H,210H,220H	特注 No. S.P.No.	-	図名 Name	Outer Dimensions Drawing	
品目コード Part No.	-	尺度 Scale	-	三角法 3rd Angle P.	単位 Unit	mm
			株式会社		パトライト PATLITE Corporation	

1

2

3

4

5

6

7

8

Ver.2.0